



McAllister®
Under-Mount Kitchen Sink
11447

Features

- Under-mount
- No faucet holes to accommodate either wall-mount or countertop faucets
- 8"-deep single bowl
- 3-3/4" drain opening
- Stainless steel with a luster finish
- SilentShield technology
- 18-gauge stainless steel
- Lifetime limited warranty

Recommended Accessories

7400 Sink Strainer

Components

Product includes:

91915 Hardware Kit

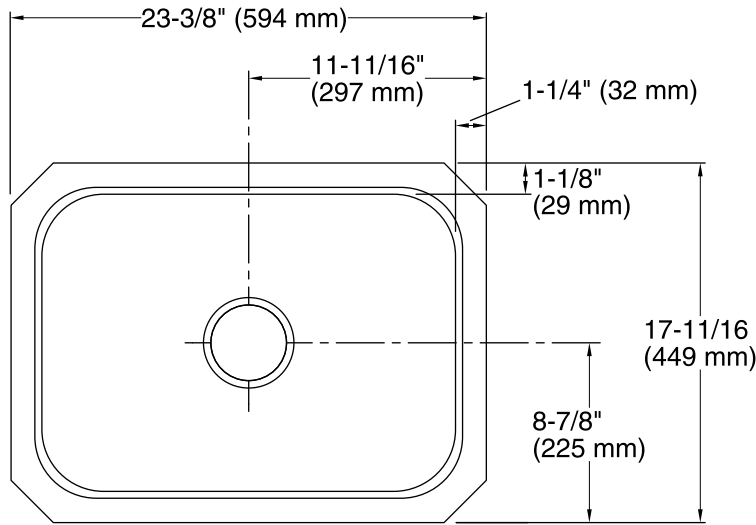


Codes/Standards

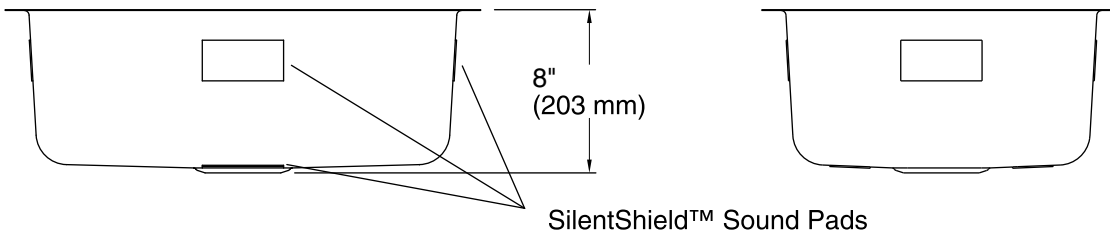
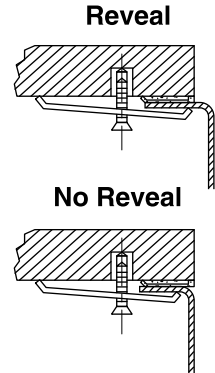
ASME A112.19.3/CSA B45.4

STERLING® Warranty - Stainless Steel Sinks

See website for detailed warranty information.



Mounting bracket assembly provides a secure installation.



Technical Information

All product dimensions are nominal.

- Bowl configuration: Single
- Installation: Under-mount
- Min. base cabinet width: 27" (686 mm)
- Bowl area (Only): Length: 20-7/8" (530 mm)
Width: 15-7/16" (392 mm)
Bowl depth: 8" (203 mm)
Water depth: 7-3/4" (197 mm)
- Drain hole: 3-1/2" (89 mm)
- Template: 1064257-7, required, not included

Notes

- Install this product according to the installation instructions.
- Measure your actual product for roughing-in details.