

### Features

- Under-mount
- No faucet holes to accommodate either wall-mount or countertop faucets
- 8"-deep single bowl
- 3-3/4" rear drain opening
- Stainless steel with a luster finish
- SilentShield technology
- 18-gauge stainless steel
- Lifetime limited warranty
- Rectangular bowl.
- No faucet holes; requires wall- or counter-mount faucet.
- Luster bowl finish.
- Includes reveal and no-reveal option.
- SilentShield® sound-absorption technology offers quieter performance.
- 11448 = single pack.
- J11448 = 3 per pack.
- T11448 = 20 per pack.
- 16-1/4" (413 mm) x 17-3/4" (451 mm) x 8" (203 mm)

### Material

- 18-gauge stainless steel.

### Installation

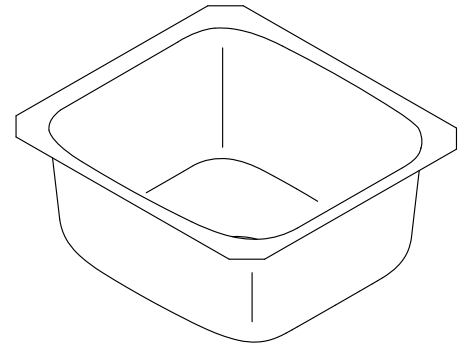
- Under-mount.
- Strainer not included.

### Recommended Accessories

7400 Sink Strainer  
11862 Sink Rack

### Components

Product includes:  
91915 Hardware Kit

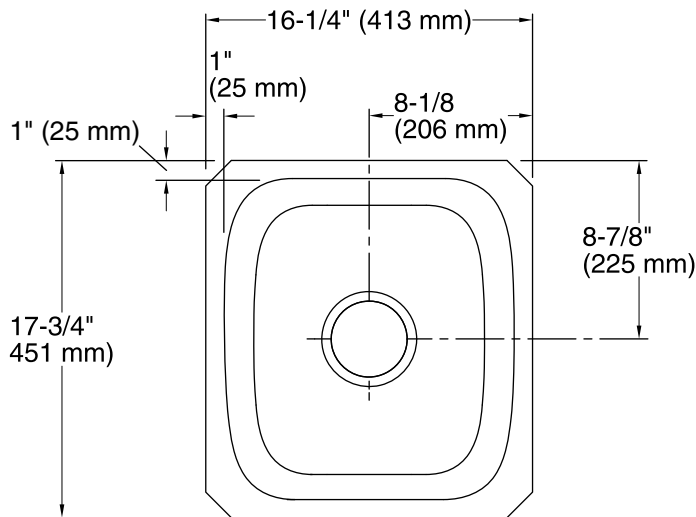


### Codes/Standards

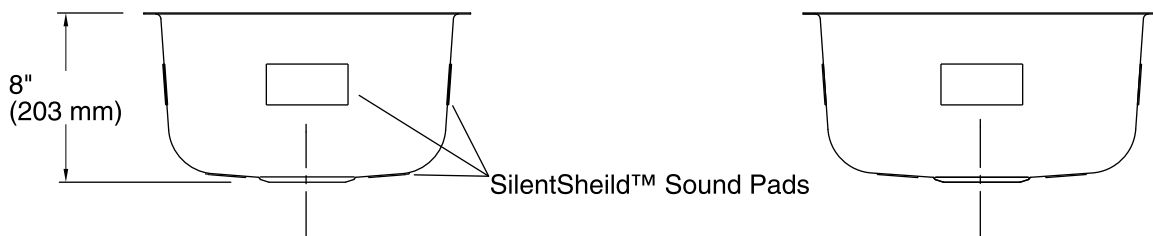
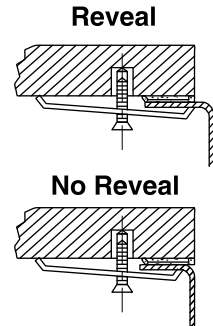
ASME A112.19.3/CSA B45.4

### STERLING® Warranty - Stainless Steel Sinks

See website for detailed warranty information.



*Mounting bracket assembly provides a secure installation.*



### Technical Information

All product dimensions are nominal.

Bowl configuration:	Single
Installation:	Under-mount
Min. base cabinet width:	21" (533 mm)
Bowl area (Only):	Length: 14-1/4" (362 mm) Width: 15-3/4" (400 mm) Bowl depth: 8" (203 mm) Water depth: 8" (203 mm)
Drain hole:	3-3/4" (95 mm)
Template:	1061195-7, required, included

### Notes

Install this product according to the installation instructions.

Measure your actual product for roughing-in details.

Use the supplied cut-out template to select either a hidden or exposed rim.