



Ludington®

Under-Mount Kitchen Sink

20243

Features

- Apron-front
- No faucet holes to accommodate either wall-mount or countertop faucets
- 9-1/2"-deep single bowl
- 3-3/4" drain opening
- Stainless steel with satin finish
- SilentShield technology
- 18-gauge stainless steel
- Lifetime limited warranty

Optional Accessories

7400 Sink Strainer



Codes/Standards

ASME A112.19.3/CSA B45.4

STERLING® Warranty - Stainless Steel Sinks

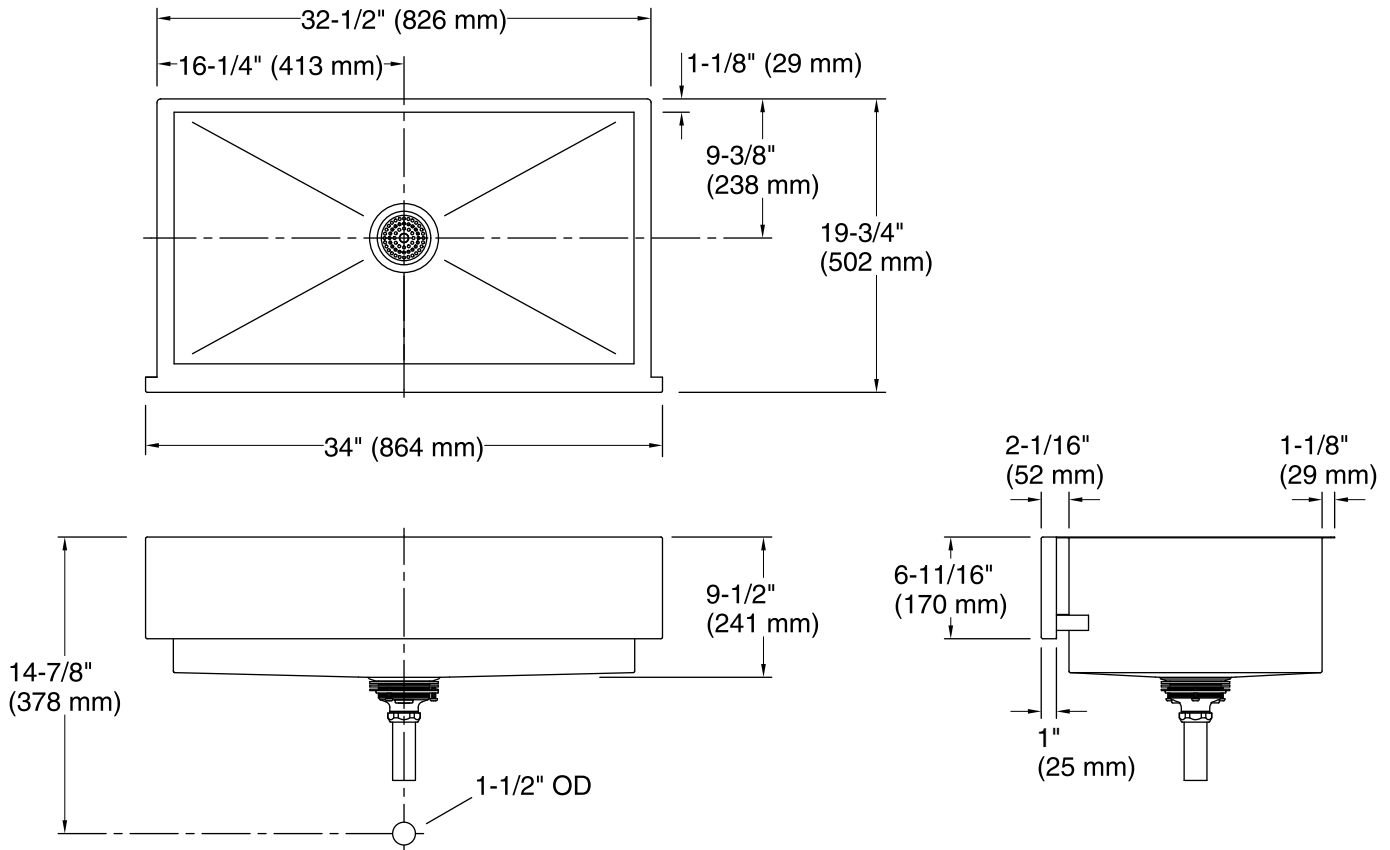
See website for detailed warranty information.

1-800-STERLING (1-800-783-7546)

Kohler Co. reserves the right to make revisions without notice to product specifications.

For the most current Specification Sheet, go to www.sterlingplumbing.com.

12-4-2018 11:47 - US/CA



Technical Information

All product dimensions are nominal.

- Installation: Under-mount
- Min. base cabinet width: 36" (914 mm)
- Bowl area (Only):
 - Length: 30-1/4" (768 mm)
 - Width: 16-9/16" (420 mm)
 - Bowl depth: 9-3/16" (233 mm)
 - Water depth: 9-3/16" (233 mm)
- Drain hole: 3-3/4" (94 mm)
- Template: 1307774-7, required, included

Notes

- Install this product according to the installation instructions.
- Countertop manufacturer or cutter must use the cut-out template provided with the product, or a current one provided by Kohler Co. (call 1-800-43-FOCUS). Kohler Co. is not responsible for cut-out errors when the incorrect cut-out template is used.